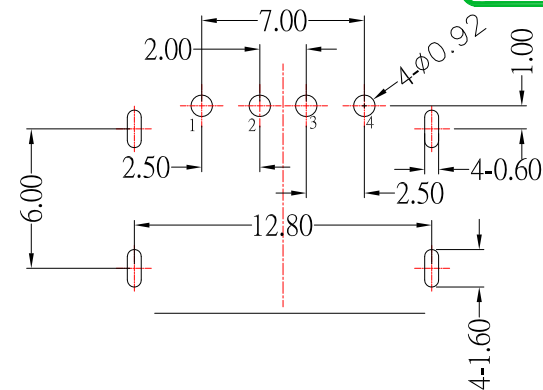
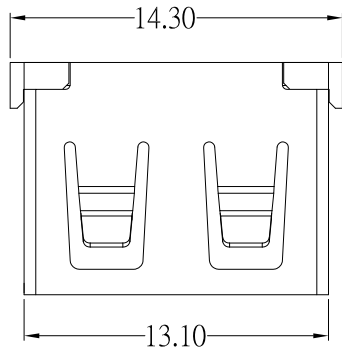




# SUA-110H20Bx-x-S236

SHELL :	COLOR :
Blank : BRASS	Black: B
I : SPCC	White : W



## P.C.B LAYOUT MOUNTING PATTERN

### SPECIFICATIONS

#### Electrical:

- Contact Resistance: 30 mΩ Max
- Dielectric Withstanding Voltage: 500 V AC / 1 minute
- Insulation Resistance: 1,000 MΩ Min

#### Mechanical:

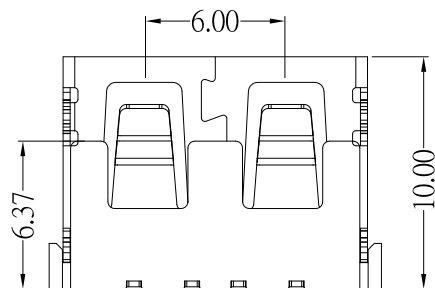
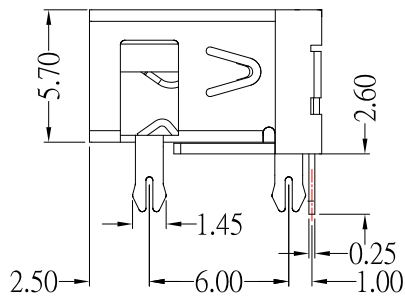
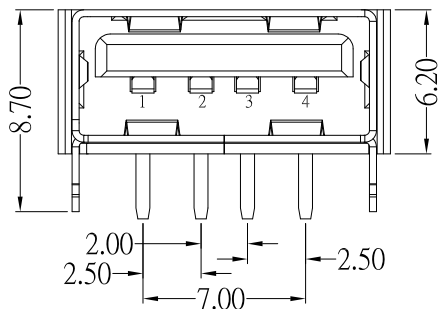
- Connector Mate and Unmate Force
  - Mate force: 35 N (Max)
  - Unmate force: 10N (Min)

#### Material:

- Housing: PBT
- Contact: Copper Alloy
- Shell: Brass / Spcc

#### Finish:

- Contact: Plated Gold in Mating Area ;  
Tin Plated on Solder Balls ;  
Nickel under plated overall
- Shell: Nickel under Plated surface layer



### PIN ASSIGNMENT

PIN NO.	1	2	3	4
SINGAL NAME	VBUS	D-	D+	GND

ITEM NO.	DESCRIPTION	DRAWN	DATE
4	更新尺寸	Jack	092922
3	新增PIN編號及定義	Jack	012622
2	新增尺寸	Jack	081621
1	更新尺寸	Jack	111720



TOLERANCE UNLESS OTHERWISE STATED:	Up to 5 ±0.2	3RD. ANGEL'S	UNITS	MM
	Above 5 ~ 15 ±0.3			
	Above 15 ~ 30 ±0.4			
	Above 30 ~ 50 ±0.5			
	Angle ±0.3°			

DRAWN BY:	DATE	MAT'L	TITLE	CONNECTOR
Jack Lu	09/29/22		MODLE	USB AF 短體 10.0 無捲邊 4腳 H6.2 端子腳長2.6
CHECKED BY:	DATE	SCALE	DWG NO.	SUA-110H20Bx-x-S236
Jacky Chen	09/29/22	1 : 1	PART NO.	SUA-110H20Bx-x-S236
APPROVED BY:	DATE	SHEET NO.	1 of 1	
Tony Kao	09/29/22			